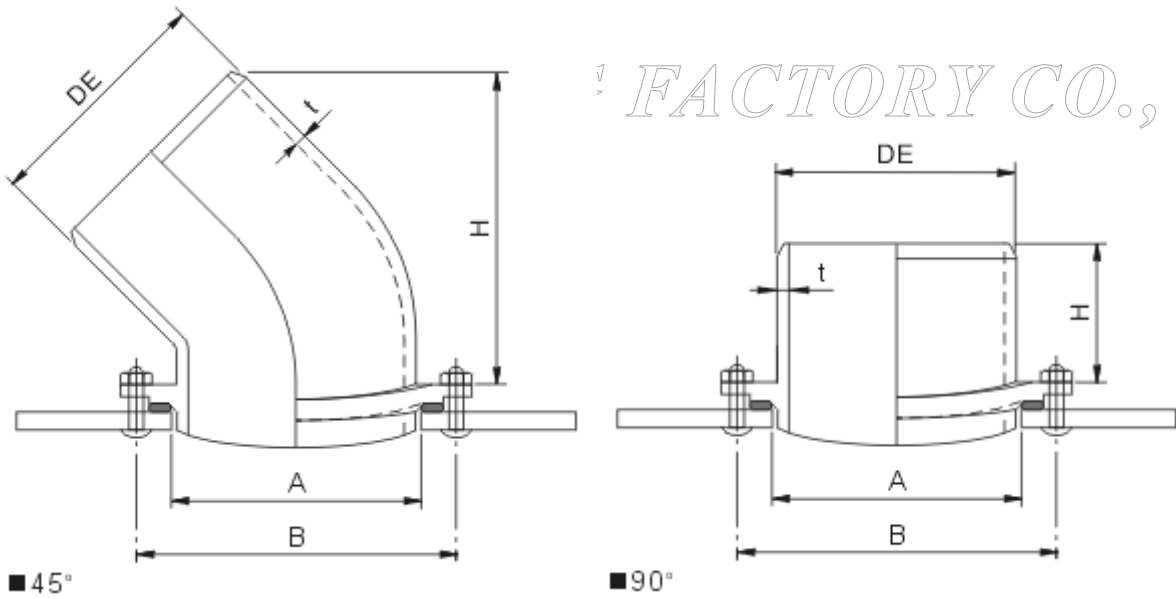




Spigot Connection Branch



45°

90°

Unit : mm

90°							45°								
DN		Thickness	Dimensions				Weight (kg)	DN		Thickness	Dimensions				Weight (kg)
D	d	t	DE	A	B	H		D	d	t	DE	A	B	H	
200	150	7.8	169.0	171	247	130	13.9	200	150	7.8	169.0	171	247	250	15.6
250	150	7.8	169.0	171	247	130	13.6	250	150	7.8	169.0	171	247	250	15.4
300	150	7.8	169.0	171	247	130	13.5	300	150	7.8	169.0	171	247	250	15.3
200	8.4	220.0	223	299	145	19.5									
350	150	7.8	169.0	171	247	130	13.4	350	150	7.8	169.0	171	247	250	15.1
	200	8.4	220.0	223	299	145	19.3								
400	150	7.8	169.0	171	247	130	13.3	400	150	7.8	169.0	171	247	250	15.1
	200	8.4	220.0	223	299	145	19.1								
450	150	7.8	169.0	171	247	130	13.3	450	150	7.8	169.0	171	247	250	15.0
500	150	7.8	169.0	171	247	130	13.2	500	150	7.8	169.0	171	247	250	15.0
600	150	7.8	169.0	171	247	130	13.2	600	150	7.8	169.0	171	247	250	15.0
700	150	7.8	169.0	171	247	130	13.2	700	150	7.8	169.0	171	247	250	14.9
800	150	7.8	169.0	171	247	130	13.2	800	150	7.8	169.0	171	247	250	14.9
900	150	7.8	169.0	171	247	130	13.2	900	150	7.8	169.0	171	247	250	14.9
1000	150	7.8	169.0	171	247	130	13.2	1000	150	7.8	169.0	171	247	250	15.0
1100	150	7.8	169.0	171	247	130	13.2	1100	150	7.8	169.0	171	247	250	15.0
1200	200	8.4	220.0	223	299	145	18.6	1200	200	8.4	220.0	223	299	300	21.7
1350	200	8.4	220.0	223	299	145	18.6	1350	200	8.4	220.0	223	299	300	21.7
1500	200	8.4	220.0	223	299	145	18.7	1500	200	8.4	220.0	223	299	300	21.7
1600	200	8.4	220.0	223	299	145	18.7	1600	200	8.4	220.0	223	299	300	21.8
1650	200	8.4	220.0	223	299	145	18.7	1650	200	8.4	220.0	223	299	300	21.8
1800	250	9.0	271.6	275	360	160	26.3	1800	250	9.0	271.6	275	360	350	31.7
2000	250	9.0	271.6	275	360	160	26.3	2000	250	9.0	271.6	275	360	350	31.8